

**SONY**

Hi-Fi Products  
Service Bulletin

Sony Service Company - Technical Services  
A Division of Sony Corporation of America  
Sony Drive, Park Ridge, New Jersey 07656

**Model:** CDP-C5F/C5S/C57

**No. 17**

**Subject:** Test Mode For Doing Adjustments

**Date:** May 9, 1988

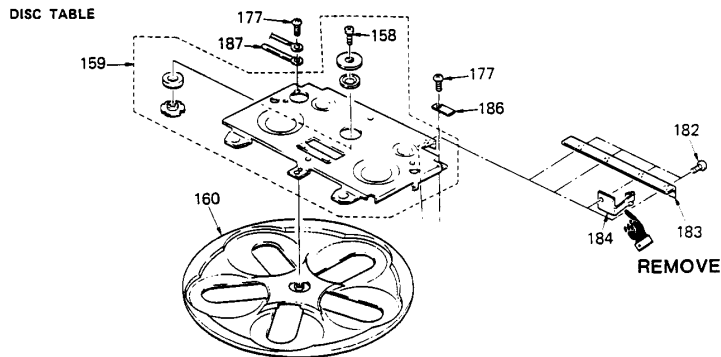
**Symptom:**  
(\*\*)

In order to do Focus Bias and E-F Balance adjustments, it is necessary to keep the drawer open. In order to do this, follow the procedure below. This procedure will put the unit into test mode. This procedure is in place of the service manual procedure.

- Solution:**
1. Turn power switch on.
  2. Open disc table.
  3. Turn power switch off.
  4. Remove Table Lock Spring (Ref No. 184).

This spring can also be bent out of the way, but care must be taken to return the spring to its original position.

This spring will obstruct the disc when it is placed on the spindle.



(Continued)

Reference: Tech Flash A038

PRINTED IN U.S.A.  
CSA-13488-7

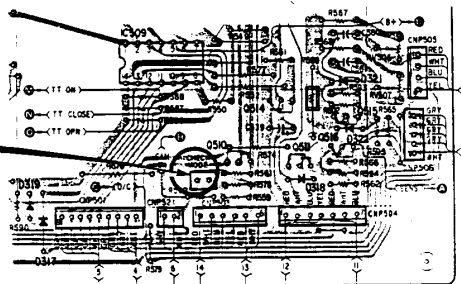
Compact Disc  
CSA-13

5. Jumper test point check Mode I on the Main PCB.

\*If the PCB does not have this test point, short across R576 using a jumper wire.

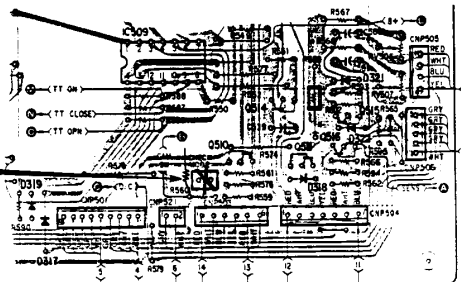
PCB with  
check Mode I  
test point

SHORT



PCB without check Mode I  
test point has R576 in  
approximately the location  
shown. The new PCB layout  
is not yet available.

R576



6. Place a disc on the spindle and secure with a magnet P/N 1-452-340-11.
7. Turn power switch on; TOC will be read.
8. Press PAUSE button; unit will go into PLAY mode. Press STOP button to place unit in STOP mode.